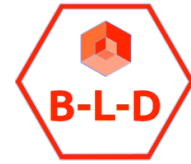




P1	Mini ball valve
P2	1 pc screwed ball valve
P3	2 pc screwed ball valve
P4	3 pc screwed ball valve
P5	3 pc butt welded ball valve
P6	3 pc socket welded ball valve
P7	3 pc long butt welded ball valve
P8	3 pc union butt welded ball valve
P9	3 pc clamp end ball valve
P10	1 pc screwed ball valve (with mounting pad)
P11	2 pc screwed ball valve (with mounting pad)
P12	3 pc screwed ball valve (with mounting pad)
P13	1 pc wafer flanged ball valve
P14	2 pc flanged ball valve
P15	3 pc flanged ball valve



- P16** **Three-way ball valve**
- P17** **Y-Stainer**
- P18** **2 pc & 3 PC spring vertical check valve**
- P19** **Gate valve**
- P20** **Swing check valve**
- P21** **Threaded pipe fittings**
- P22** **Threaded pipe fittings**
- P23** **Threaded pipe fittings**
- P24** **Threaded pipe fittings**
- P25** **Butt welded pipe fittings**
- P26** **Butt welded pipe fittings**
- P27** **Camlock coupling type A&B**
- P28** **Camlock coupling type C&D**
- P29** **Camlock coupling type E&F**
- P30** **Dust cap & Dp**

MINI BALL VALVE (polished)

Model : YH-BM-FF YH-BM-MF YH-BM-MM



Material Specifications

ITEM	DESIGNATION	Material
1	O-RING	VITON
2	STEM	304
3	BOLT	304
4	LEVER	ALUMINUM ALLOY
5	BODY	CF8M
6	CAP	CF8M
7	BALL SEAT(A)	R-PTFE
8	Ball	CF8M
9	BALL SEAT(B)	RPTFE
10	THRUST WASHER	PTFE

Parameters

SIZE	1/4"	3/8"	1/2"	3/4"	1"
D	7	7	9.2	12.5	15
L	42	42	46	54	65
H	26.5	26.5	28.3	31.5	34
W	22.8	22.8	22.8	22.8	22.8

STANDARD

Design: ANSI B 16.34

Testing: API 598

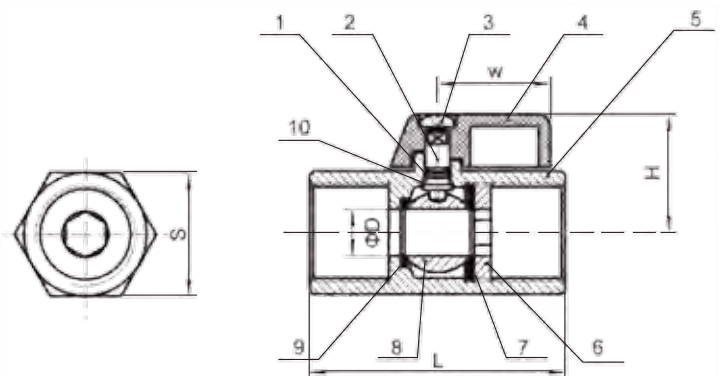
APPLICATION

For general chemical and industrial services

Working Pressure : 6.9MPa, 1000PSI

Applicable Medium: Water, Oil, Gas

Body Material: CF8, CF8M, CF3M



01



1PC SCREWED BALL VALVE

Model: YH-B1PC-FF (Reduce Bore 1000PSI)



Material specifications

ITEM	DESIGNATION	MATERIAL
1	PLASTIC COVER	PLASTIC
2	HANDLE	SS304
3	LOCKING	SS304
4	STEM NUT	SS304
5	SPRING WASHER	SS304
6	STEM	SS304/316
7	PACK RING	SS304
8	STEM PACKING	PTFE
9	THRUST WASHER	PTFE
10	CAP	CF8/CF8M
11	BODY	CF8/CF8M
12	BALL SEAT(A)	R-PTFE
13	BALL	CF8M
14	BALL SEAT(B)	R-PTFE

STANDARD

Design: ANSI B 16.34

Testing: API 598

APPLICATION

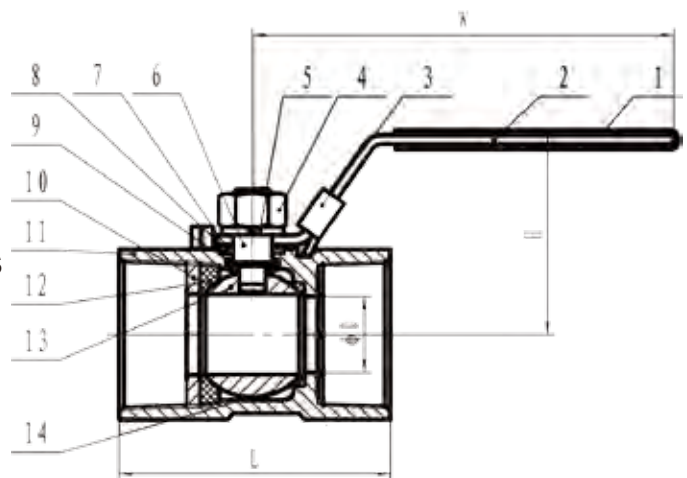
For general chemical and industrial services

Working Pressure: 6.3MPa, 1000PSI

Applicable Medium: Water, Oil, Gas

Body Material: CF8, CF8M, CF3M

Options: Locking device



Parameters

ITEM	1/4"	3/8"	1/2"	3/4"	1"	1-1/4"	1-1/2"	2"	2-1/2"	3"
D	5	7	9.2	12.5	15	20	25	32	38	50
L	39	44	57	59	71	78	83	100	128	153
H	33	35	40	44	51	57	64	70	70	77
W	68.5	90	98	98	111	111	139	139	189	189

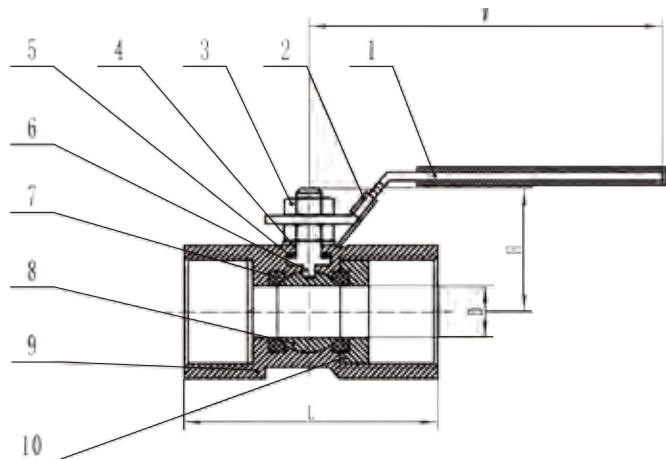


02



2PC SCREWED BALL VALVE

Model: YH-B2PC-FF



Material Specifications

ITEM	DESIGNATION	MATERIAL
1	BODY	CF8M
2	BALL SEAT	R-PTFE
3	BALL	SS 316
4	CAP	CF8M
5	STEM	SS 316
6	THRUST WASHER	PTFE
7	STEM PACKING	PTFE
8	GLAND NUT	SS 304
9	HANDLE	SS 304
10	NUT	SS 304
11	LOCK DEVICE	SS 304
12	HANDLE COVER	PLASTIC

Parameters

WORKING PRESSURE	DN		L	H	W
	In	mm			
6.3MPa	1/4"	11.6	53	46	91.5
	3/8"	12.7	53	46	91.5
	1/2"	15	60	52	101.5
	3/4"	20	70	57.5	116.5
	1"	25	82	68	141.5
	1-1/4"	32	97	73	141.5
	1-1/2"	37	103	83	166.5
	2"	49	122	92	166.5
	2-1/2"	65	154	125	250
	3"	80	190	150	250

STANDARD

Design: ANSI B 16.34

Testing: API 598

APPLICATION

For general chemical and industrial services

Working Pressure: 6.3MPa, 1000PSI

Applicable Medium: Water, Oil, Gas

Body Material: CF8, CF8M, CF3M

Options: Locking device

03



3PC SCREWED BALL VALVE

Model: YH-B3PC-TD



Material specifications

ITEM	DESIGNATION	MATERIAL
1	BODY	CF8M
2	BALL SEAT	R-PTFE
3	BALL	SS 316
4	CAP	CF8M
5	SPRING WASHER	SS 316
6	NUT	SS 304
7	BOLT	SS 304
8	STEM	SS 304
9	THRUST WASHER	PTFE
10	GLAND NUT	SS 304
11	HANDLE	SS 304
12	SPRING WASHER	SS 304
13	NUT	SS 304
14	LOCK DEVICE	SS 304
15	HANDLE COVER	PLASTIC

STANDARD

Design: ANSI B 16.34

Testing: API 598

APPLICATION

For general chemical and industrial services

Working Pressure: 6.3MPa, 1000PSI

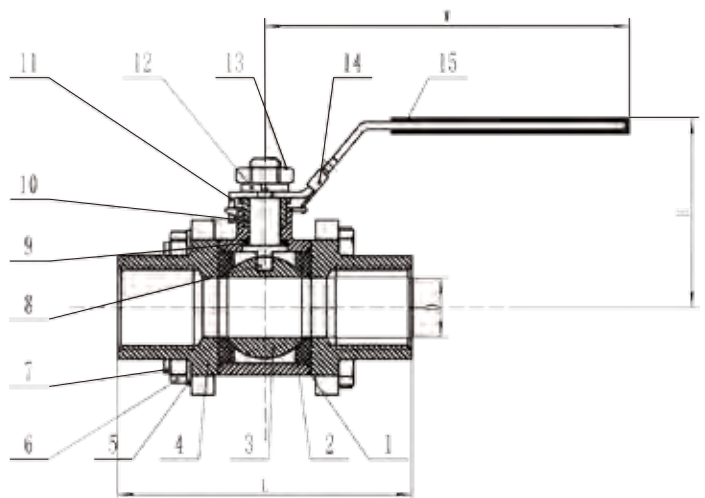
Applicable Medium: Water, Oil, Gas

Body Material: CF8, CF8M, CF3M

Options: Locking device

Design for in-line reparable and simple maintenance

Clamp end ball valve can be installed on the pipes quickly.



Parameters

SIZE	1/4"	3/8"	1/2"	3/4"	1"	1 1/4"	1 1/2"	2"	2 1/2"	3"	4"
D	12.5	12.5	15	20	25	32	38	50	65	76	94
L	72	72	72	80	85	105	113	132	170	186	220
H	48	48	50	52	65	70	85	93	116	125	180
W	105	105	105	126	144	144	189	189	224	224	251



04

3-PC BUTT WELDED BALL VALVE

Model: YH-B3PC-BW(FULL BORE 1000PSI)



Material specifications

ITEM	DESIGNATION	MATERIAL
1	HANDLE	SS 304
2	LOCK DEVICE	SS 304
3	NUT	SS 304
4	GLAND NUT	SS 304
5	STEM PACKING	PTFE
6	THRUST WASHER	PTFE
7	BODY	CF8M
8	BOLT	SS 304
9	NUT	SS 304
10	SPRING WASHER	SS 304
11	CAP	CF8M
12	BALL SEAT	R-PTFE
13	BALL	SS 316
14	STEM	SS 304

STANDARD

Design: ANSI B 16.34

Testing: API 598

Butt Weld End: ANSI B 16.25/GB1224

APPLICATION

For general chemical and industrial services

Working Pressure: 6.3MPa, 1000PSI

Applicable Medium: Water, Oil, Gas

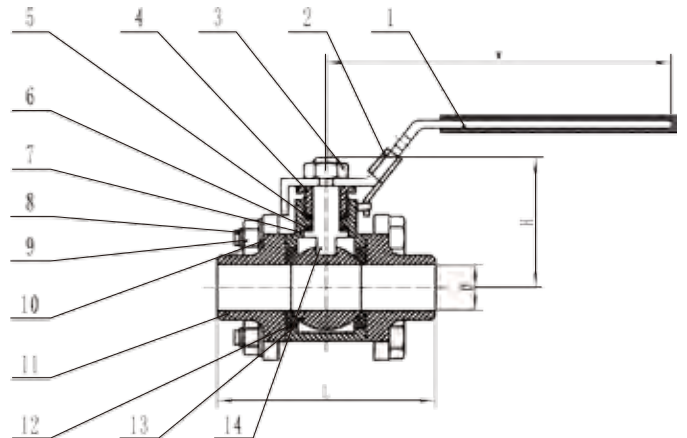
Body Material: CF8, CF8M, CF3M

Options: Locking device

Design for in-line reparable and simple maintenance.

Parameters

SIZE	1/4"	3/8"	1/2"	3/4"	1"	1 1/4"	1 1/2"	2"	2 1/2"	3"	4"
D	12.5	12.5	15	20	25	32	38	50	65	76	94
L	72	72	72	80	85	105	113	134	170	186	220
H	48	48	50	52	65	70	85.5	93	116	125	180
W	105	105	105	126	144	144	189	189	224	224	251



05



3-PC SOCKET WELDED BALL VALVE

Model:YH-B3PC-SW(FULL BORE 1000PSI)



Material specifications

ITEM	DESIGNATION	MATERIAL
1	HANDLE COVER	PLASTIC
2	HANDLE	SS 304
3	LOCK DEVICE	SS 304
4	STEM	SS 304
5	SPRING WASHER	SS 304
6	NUT	SS 304
7	GLAND NUT	SS 304
8	STEM PACKING	PTFE
9	THRUSH WASHER	PTFE
10	CAP	CF8M
11	BOLT	SS 304
12	NUT	SS 304
13	SPRING WASHER	SS 304
14	BALL SEAT	R-PTFE
15	BALL	SS 316

STANDARD

Design: ANSI B 16.34

Testing: API 598

Butt Weld End: ANSI B 16.11

APPLICATION

For general chemical and industrial services

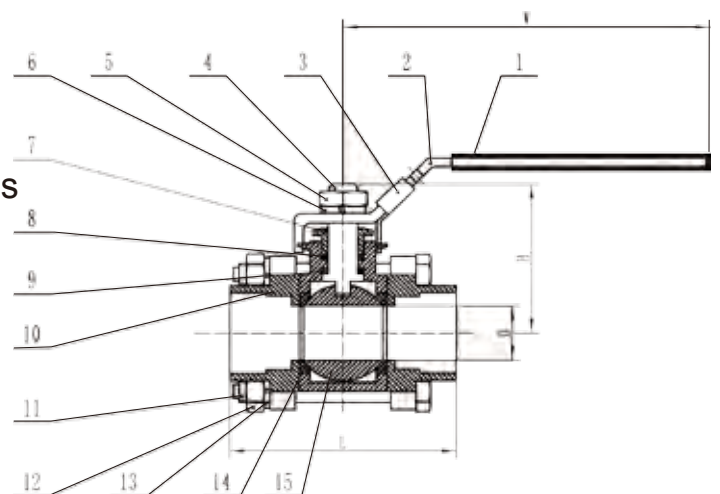
Working Pressure: 6.3MPa, 1000PSI

Applicable Medium: Water, Oil, Gas

Body Material: CF8, CF8M, CF3M

Options: Locking device

Design for in-line reparable and simple maintenance.



Parameters

SIZE	1/4"	3/8"	1/2"	3/4"	1"	1 1/4"	1 1/2"	2"	2 1/2"	3"	4"
D	12.5	12.5	15	20	25	32	38	50	65	76	94
A	10	10	10	13	13	13	13	16	16	16	19
L	72	72	72	80	85	105	113	132	170	186	220
H	48	48	50	52	65	70	85	93	116	125	180
W	105	105	105	126	144	144	189	189	224	224	251



06



3-PC LONG BUTT WELDED BALL VALVE

Model: YH-B3PC-LBW (FULL BORE 1000PSI)



Material specifications

ITEM	DESIGNATION	MATERIAL
1	HANDLE COVER	PLASTIC
2	HANDLE	SS 304
3	GLAND NUT	SS 304
4	STEM NUT	SS 304
5	SPRING WASHER	SS 304
6	STEM PACKING	PTFE
7	STEM SEAL	PTFE
8	BODY SEAL	PTFE
9	CAP	CF8M
10	BOLT	SS 304
11	NUT	SS 304
12	THRUST WASHER	SS 304
13	BODY	CF8M
14	SEAT	R-PTFE
15	BALL	CF8M
16	STEM	SS 304
17	LOCKING	SS 304

STANDARD

Design: ANSI B 16.34

Testing: API 598

Butt Weld End: ANSI B 16.25/GB 1224

APPLICATION

For general chemical and industrial services

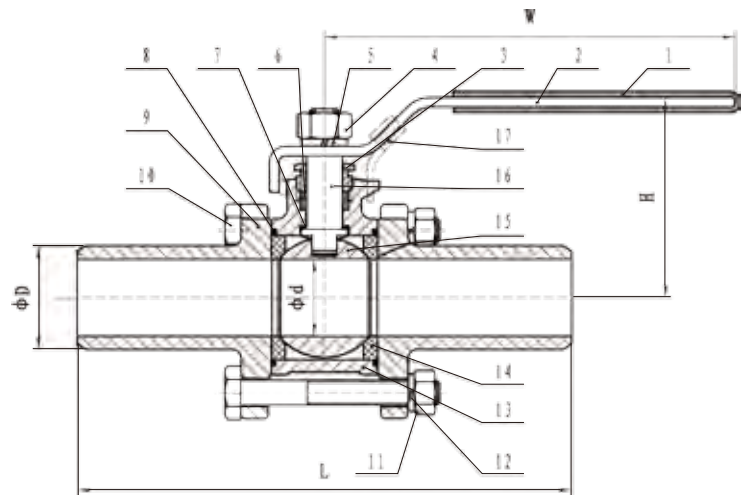
Working Pressure: 6.3MPa, 1000PSI

Applicable Medium: Water, Oil, Gas

Body Material: CF8, CF8M, CF3M

Options: Locking device

Design for in-line reparable and simple maintenance.



Parameters

SIZE	1/4"	3/8"	1/2"	3/4"	1"	1 1/4"	1 1/2"	2"	2 1/2"	3"	4"
d	12.5	12.5	15	20	25	32	38	50	65	76	94
D	15.2	17.2	21.3	26.9	34.5	43.5	50	61.5	77	90	115
L	225	225	225	225	245	256	260	275	334	345	365
H	42	42	49	52	62	66	77	85	139	150	175
W	98	98	115	115	143	143	178	178	250	250	280

07



3-PC UNION BUTT WELD BALL VALVE

Model: YH-B3PC-UBW(FULL BORE 1000PSI)

Material specifications



ITEM	DESIGNATION	MATERIAL
1	HANDLE COVER	PLASTIC
2	HANDLE	SS 304
3	GLAND NUT	SS 304
4	STEM NUT	SS 304
5	SPRING WASHER	SS 304
6	STEM PACKING	PTFE
7	STEM SEAL	PTFE
8	BODY SEAL	PTFE
9	CAP	CF8M
10	BOLT	SS 304
11	NUT	SS 304
12	THRUST WASHER	SS 304
13	BODY	CF8M
14	SEAT	R-PTFE
15	BALL	CF8M
16	STEM	SS 304
17	NUT	CF8M
18	SLEEVE	CF8M
19	LOCKING	SS 304

STANDARD

Design: ANSI B 16.34

Testing: API 598

Butt Weld End: ANSI B 16.25/GB 1224

APPLICATION

For general chemical and industrial services

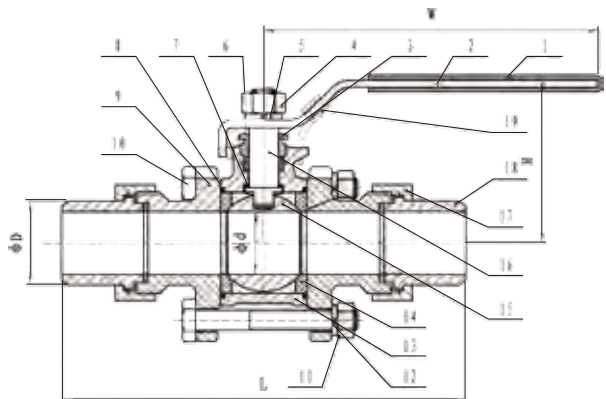
Working Pressure: 6.3MPa, 1000PSI

Applicable Medium: Water, Oil, Gas

Body Material: CF8, CF8M, CF3M

Options: Locking device

Design for in-line reparable and simple maintenance.



Parameters

SIZE	1/4"	3/8"	1/2"	3/4"	1"	1 1/4"	1 1/2"	2"	2 1/2"	3"
d	12.5	12.5	15	20	25	32	38	50	65	76
D	15.2	17.2	21.3	26.9	34.5	43.5	50	61.5	77	90
L	225	225	225	225	245	256	260	275	334	345
H	42	42	49	52	62	66	77	85	139	150
W	98	98	115	115	143	143	178	178	250	250



08



3-PC CLAMP END BALL VALVE

Model: YH-B3PC-CE (FULL BORE 1000PSI)



Material specifications

ITEM	DESIGNATION	MATERIAL
1	HANDLE COVER	PLASTIC
2	HANDLE	SS 304
3	GLAND NUT	SS 304
4	STEM NUT	SS 304
5	THRUST WASHER	SS 304
6	STEM PACKING	PTFE
7	STEM SEAL	PTFE
8	BODY SEAL	PTFE
9	CAP	CF8M
10	BOLT	SS 304
11	NUT	SS 304
12	THRUST WASHER	SS 304
13	BODY	CF8M
14	BALL SEAT	R-PTFE
15	BALL	CF8M
16	STEM	SS 304
17	LOCKING	SS 304

STANDARD

Design: ANSI B 16.34

Testing: API 598

APPLICATION

For general chemical and industrial services

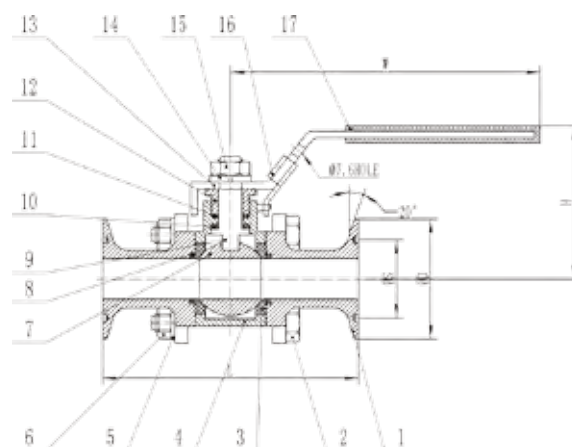
Working Pressure: 6.3MPa, 1000PSI

Applicable Medium: Water, Oil, Gas

Body Material: CF8, CF8M, CF3M

Options: Locking device

Valves can be easily installed on the pipes quickly.



Parameters

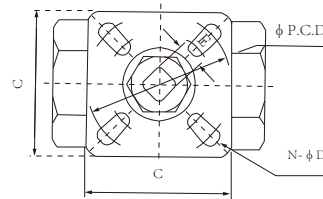
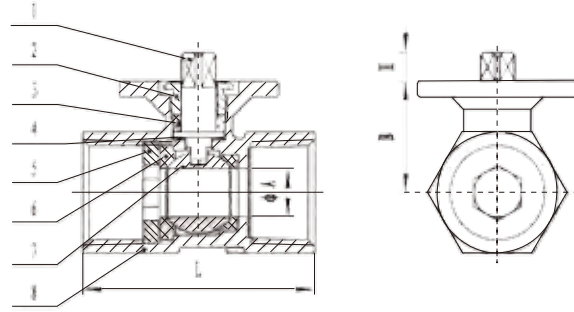
SIZE	1/2"	3/4"	1"	1 1/4"	1 1/2"	2"	2 1/2"	3"	4"
d	9.6	15.9	22.2	28.5	34.9	47.5	60.2	72.9	97.4
S	20.24	20.24	43.6	43.6	43.6	56.3	70.6	83.3	110.3
D	25	25	50.5	50.5	50.5	64	77.5	91	119
L	75	90	100	110	125	150	190	220	270
H	50	55	65	75	85.5	93	116.2	125	180
W	105	126	144	144	189	189	224	224	251
T1	—	—	2.85	2.85	2.85	2.85	2.85	2.85	2.85
T2	3.63	3.63	4.75	4.75	—	—	—	—	—

09



1PC SCREWED BALL VALVE (WITH MOUNTING PAD)

Model: YH-BT-1PC (Reduce Bore 1000PSI)



STANDARD

Design: ANSI B 16.34

Testing: API 598

Mounting flange: ISO 5211

APPLICATION

For general chemical and industrial services

Working Pressure: 6.3MPa, 1000PSI

Applicable Medium: Water, Oil, Gas

Body Material: CF8, CF8M, CF3M

Design for in-line reparable and simple maintenance.

Material Specifications

ITEM	DESIGNATION	MATERIAL
1	STEM	304
2	GLAND	304
3	STEM PACKING	PTFE
4	THRUST WASHER	PTFE
5	CAP	CF8M
6	BALL SEAT	RPTFE
7	BALL	CF8M
8	BODY	CF8M

Parameters

SIZE	3/8"	1/2"	3/4"	1"	1 1/4"	1 1/2"	2"
L	45	50	60	73	78	90	100
A	7	9.2	12.5	15	20	25	32
B	23	25	32	35	38	42	50
C	36	50	50	50	50	70	70
H	9	9	9	9	9	11	11
φ P.C.D	F03	F03/F05	F03/F05	F03/F05	F03/F05	F05	F05
N-φD	4-φ5.5	8-φ5.5-6.5	8-φ5.5-6.5	8-φ5.5-6.5	8-φ5.5-6.5	4-φ6.5	4-φ6.5
E	9	9	9	9	9	11	11

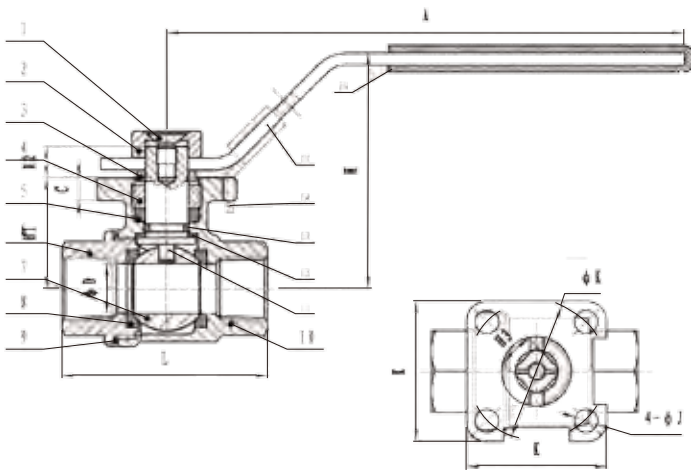


2PC SCREWED BALL VALVE (WITH MOUNTING PAD)

Model: YH-BT-2PC (FULL BORE 1000PSI)

Parameters

SIZE	1/4"	3/8"	1/2"	3/4"	1"	1-1/4"	1-1/2"	2"	2-1/2"	3"
A	133	133	133	133	133	133	150	150	186	186
C	6	6	6	6	6	6	8	8	8	8
D	12.7	12.7	15	20	25	32	38	50	65	76
H2	8	8	8	8	8.4	8.4	10.5	10.5	14.5	14.5
H1	9	9	9	9	9	9	11	11	14	14
H	60.5	60.5	62	67	76.5	80.5	98	107	123	133
J	6	6	6	6	6	6	7	7	J	J
K	36	36	36	36	36	36	50	50	70	70
L	53	53	63	76	90	100	115	136	162	188



Material Specifications

ITEM	DESIGNATION	MATERIAL
1	BOLT	304
2	COVER	304
3	ADJUSTABLE	304
4	GLAND	304
5	STEM PACKING	PTFE
6	BONNET	CF8M
7	BALL	CF8M
8	BALL SEAT	RPTFE
9	BODY SEAL	PTFE
10	BODY	CF8M
11	STEM	304
12	THRUST WASHER	PTFE
13	O-RING	NBR/VITON
14	LOCKING DEVICE	304
15	HANDLE	304
16	HANDLE COVER	PLA

STANDARD

Design: ANSI B 16.34

Testing: API 598

Mounting flange: ISO 5211

APPLICATION

For general chemical and industrial services

Working Pressure: 6.3MPa, 1000PSI

Applicable Medium: Water, Oil, Gas

Body Material: CF8, CF8M, CF3M

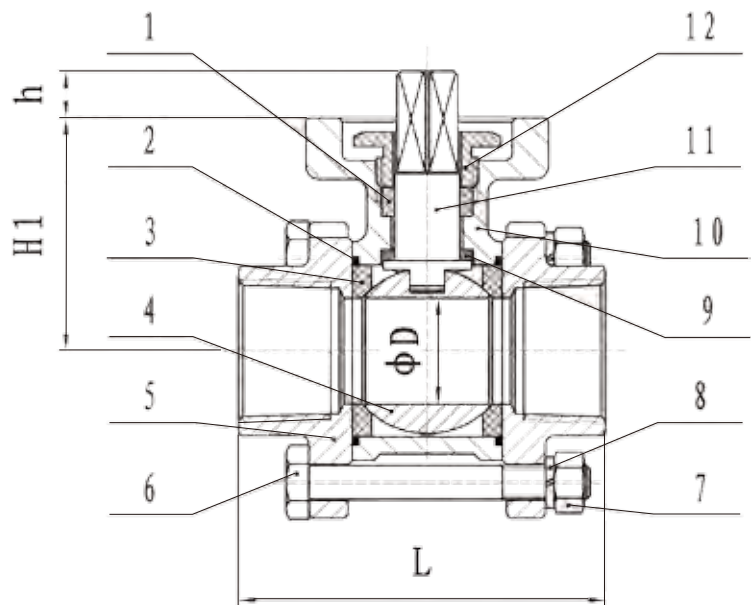
Design for in-line reparable and simple maintenance.

11



3PC SCREWED BALL VALVE (WITH MOUNTING PAD)

Model :YH-BT-3PC(Full Bore 1000PSI)



Material specifications

ITEM	DESIGNATION	MATERIAL
1	STEM PACKING	PTFE
2	BODY SEAL	PTFE
3	BALL SEAT	PTFE
4	BALL	CF8M
5	CAP	CF8M
6	BOLT	SS 304
7	NUT	SS 304
8	THRUST WASHER	SS 304
9	STEM SEAL	PTFE
10	YOKE	CF8M
11	STEM	SS 304
12	GLAND PACKING	SS 304

STANDARD

Design: ANSI B 16.34

Testing: API 598

Mounting flange: ISO 5211

APPLICATION

For general chemical and industrial services

Working Pressure: 6.3MPa, 1000PSI

Applicable Medium: Water, Oil, Gas

Body Material: CF8, CF8M, CF3M

Design for in-line reparable and simple maintenance.

Parameters

SIZE	1/4"	3/8"	1/2"	3/4"	1"	1 1/4"	1 1/2"	2"	2 1/2"	3"
D	12.5	12.5	15	20	25	32	38	50	65	76
L	64	64	72	80	85	105	113	132	170	186
H	68.4	68.4	72	78	90.3	95.3	107	122	155	164
W	135	135	135	135	152	152	188	188	233	233
H1	38.4	38.4	42	48	55	60	70	85	109	118
h	9	9	9	9	11	11	15	15	20	20
ISO5211	F03/F04	F03/F04	F03/F04	F03/F04	F04/F05	F04/F05	F05/F07	F05/F07	F07/F10	F07/F10



12



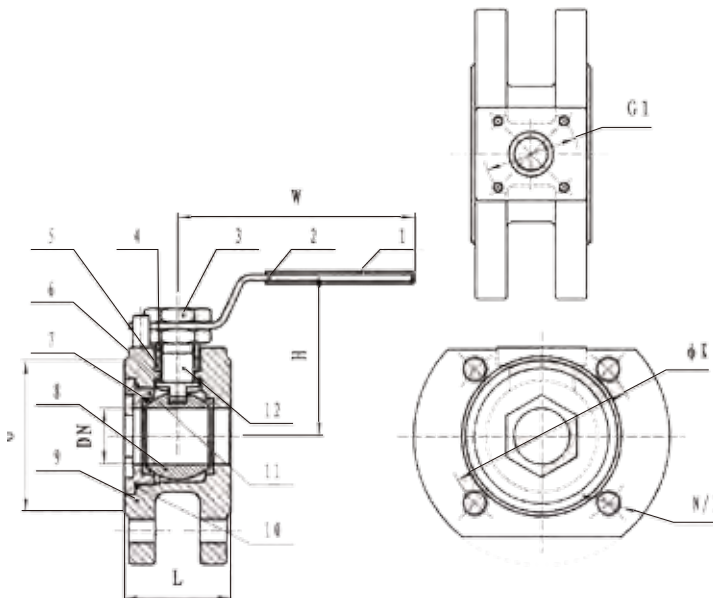
1-PC WAFER FLANGED BALL VALVE

Model : YH-B1PC-FL(FULL BORE PN16/40)



Material specifications

ITEM	DESIGNATION	MATERIAL
2	HANDLE	304
3	NUT	304
4	RING	304
5	STEM PACKING	PTFE
6	STEM SEAL	PTFE
7	BALL SEAT	R-PTFE
8	BALL	CF8M
9	BODY	CF8M
10	BODY SEAL	PTFE
11	CAP	CF8M
12	STEM	304/316



Parameters

SIZE	DN15	DN20	DN25	DN32	DN40	DN50	DN65	DN80	DN100	DN125	DN150
L	40	44	48	54	62	71	90	110	135	197	231
K	65	75	85	100	110	125	145	160	180	210	240
N/1	4-M12×1.75			4-M16×2			8-M16×2			8-M20×2.5	
G	45	58	68	78	88	102	122	138	158	188	212
ISO5211 G1	F03	F03	F04	F04	F05	F05	F07	F07	90	90	100
H	63	68	80	87	104	110	128	135	151	192	231
W	125	125	167	167	190	195	310	310	295	295	350

13



2-PC FLANGED BALL VALVE

Model : YH-B2PC-FL(FULL BORE ANSI-CLASS 150/300 JIS 10K/20K PN 16/25/40)



Material specifications

No.	ITEM	MATERIAL
1	BODY	1.4408/1.4308
2	CAP	1.4408/1.4308
3	BALL	1.4408/1.4308
4	STEM	316
5	BALL SEAT	PTFE
6	STEM PACKING	PTFE
7	STEM PACKING	PTFE
8	STEM RING	304
9	HANDLE	304
10	NUT	304
11	PLASTIC COVER	PLASSTIC
12	BODY GASKET	PTFE
13	BOLT	304
14	NUT	304

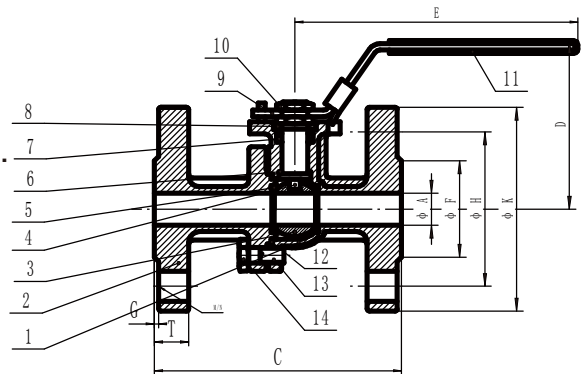
APPLICATION :

For general chemical and industrial services.
 Related pneumatic and electric unit can be installed.
 Body Material : CF8 ,CF8M ,CF3M

STANDARD

Design: ANSI B 16.34

Testing: API 598



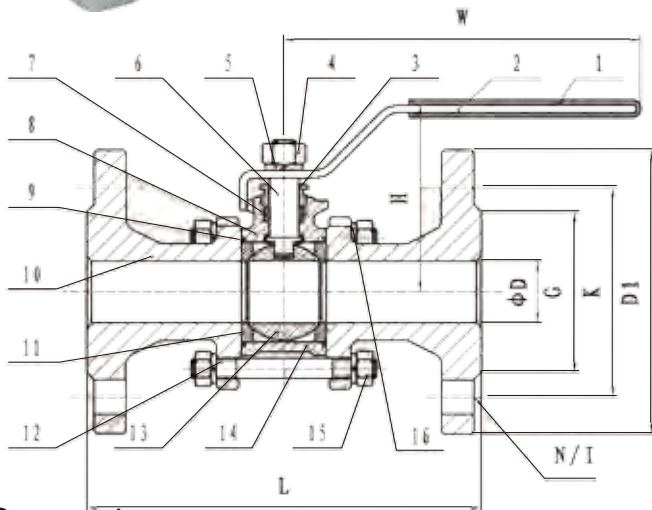
Parameters

SIZE	A	B	D	E	C	F	H	k	T	G	M	N
1/2"	15	11	80	160	115	45	65	95	16	2	14	4
3/4"	20	11	90	160	120	58	75	105	18	2	14	4
1"	25	14	95	160	125	68	85	115	18	2	14	4
1-1/4"	32	14	105	160	130	78	100	140	18	2	18	4
1-1/2"	38	17	110	220	140	88	110	150	18	3	18	4
2"	50	17	118	220	150	102	125	165	18	3	18	4
2-1/2"	65	17	136	220	170	122	145	185	18	3	18	8
3"	76	22	158	320	180	138	160	200	20	3	18	8
4"	94	22	178	320	190	158	180	220	20	3	18	8



3-PC FLANGED BALL VALVE

Model: YH-B3PC-FL (FULL BORE PN16/40 ANSI 150LB)



Material specifications

ITEM	DESIGNATION	MATERIAL
1	HANDLE SLEEVE	PLASTIC
2	HANDLE	304
3	GLAND NUT	304
4	STEM NUT	304
5	THRUST WASHER	304
6	STEM	304/316
7	STEM PACKING	PTFE
8	BODY	PTFE
9	BODY SEAL	PTFE
10	CAP	CF8/CF8M
11	BALL SEAT	R-PTFE
12	BOLT	304
13	BALL	CF8M
14	BODY	CF8/CF8M
15	NUT	304
16	THRUST WASHER	304

Parameters

SIZE	D	H	W	PN	ANSI	DIN PN16					DIN PN40					ANSI 150				
						L	L	D1	K	G	B	N/I	D1	K	G	B	N/I	D1	K	G
1/2"	15	79	160	130	108	95	65	45	14	14/4	95	65	45	16	14/4	89	60.5	35	11.2	16/4
3/4"	20	84	160	150	117	105	75	58	16	14/4	105	75	58	18	14/4	98	70	43	12.7	16/4
1"	25	100	185	160	124	115	85	68	16	14/4	115	85	68	18	14/4	108	79.05	51	14.3	16/4
1-1/4"	32	105	185	180	140	140	100	78	16	18/4	140	100	78	18	18/4	117	89	64	15.9	16/4
1-1/2"	40	115	220	200	165	150	110	88	16	18/4	150	110	88	18	18/4	127	98.5	73	17.5	16/4
2"	50	124	220	230	178	165	125	102	18	18/4	165	125	102	20	18/4	152	120.5	92	19.1	19/4
2-1/2"	65	165	305	290	190	185	145	122	18	18/4	185	145	122	22	18/4	178	139.5	105	22.3	19/4
3"	80	177	305	310	203	200	160	138	20	18/8	200	160	138	24	18/8	190	152.5	127	23.9	19/4
4"	94	203	330	350	229	220	180	158	20	18/8	235	190	162	24	22/8	229	190.5	157	23.9	19/8

15



THREE-WAY BALL VALVE(TYPE L/T) WITH MOUNTING PAD ISO5211

Model: YH-BT-3WAY L/T (REDUCE BORE 1000PSI)



Material Specifications

ITEM	DESIGNATION	MATERIAL
1	BODY	CF8/CF8M
2	GLAND NUT	304
3	FLOW INDICATION PLATE	ALUMINUM
4	STEM NUT	304
5	LOCKING	304
6	HANDLE	304
7	PLASTIC COVER	PLASTIC
8	STEM	304
9	STEM PACKING	PTFE
10	STEM SEAL	PTFE
11	CAP	CF8/CF8M
12	BODY SEAL	PTFE
13	BALL	CF8M
14	BALL SEAL	R-PTFE
15	BLIND CAP	CF8M
16	BLIND CAP SEAL	PTFE

STANDARD

Design: ANSI B 16.34

Testing: API 598

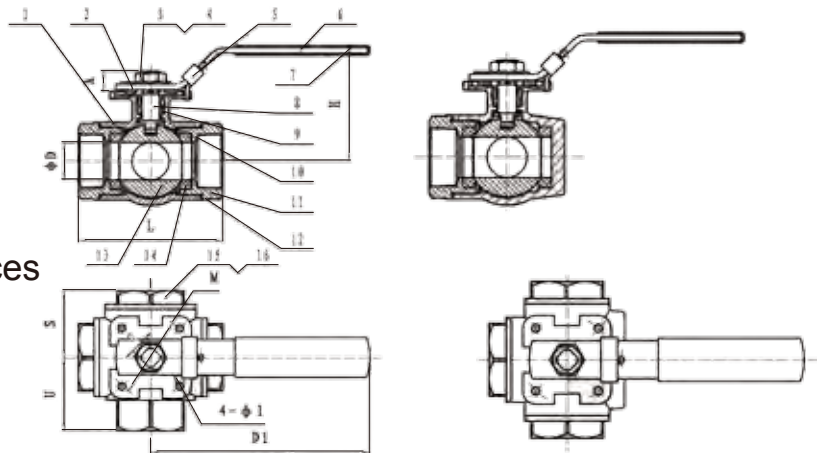
APPLICATION

For general chemical and industrial services

Working Pressure: 6.3MPa, 1000PSI

Applicable Medium: Water, Oil, Gas

Body Material: CF8, CF8M, CF3M



Parameters

SIZE	D	L	C	H	D1	M	φ1	A	S	U
1/2"	12.7	75	9	68	116	42	6	10	33	37.5
3/4"	16	85	9	73	116	42	6	10	39.5	42.5
1"	20	100	11	83	152	50	7	12	50	52
1-1/4"	25	115	11	89	152	50	7	12	50.5	57.5
1-1/2"	32	124	14	97	187	70	9	16	57	62
2"	38	147	14	106	187	70	9	16	65	75

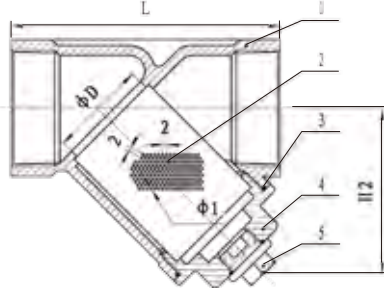


16



Y-STRAINER

Model1: YH-YST (ANSI 800PSI) Model2: YST-800(ANSI 800PSI)

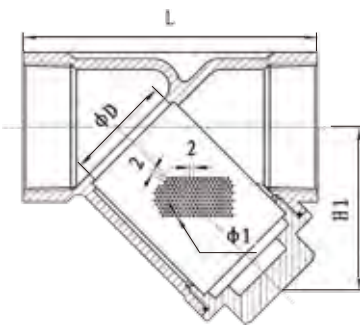


Material specifications

ITEM	DESIGNATION	MATERIAL
1	BODY	CF8/CF8M
2	SCREEN	304
3	GASKET	PTFE
4	BONNET	CF8/CF8M
5	DISCHARGE PLUG	CF8/CF8M

Parameters

SIZE	1/4"	3/8"	1/2"	3/4"	1"	1-1/4"	1-1/2"	2"
D	10	12	15	20	25	32	40	50
L	65	65	65	80	90	105	120	140
H2	51	51	51	60	72	77	87	103



Material specifications

ITEM	DESIGNATION	MATERIAL
1	BODY	CF8/CF8M
2	SCREEN	304
3	GASKET	PTFE
4	BONNET	CF8/CF8M

Parameters

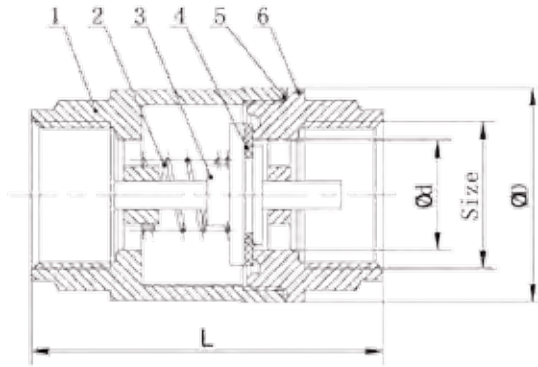
ITEM	1/4"	3/8"	1/2"	3/4"	1"	1-1/4"	1-1/2"	2"
D	10	12	15	20	25	32	40	50
L	65	65	65	80	90	105	120	140
H1	35	37	35	45	57	58	66	77

17



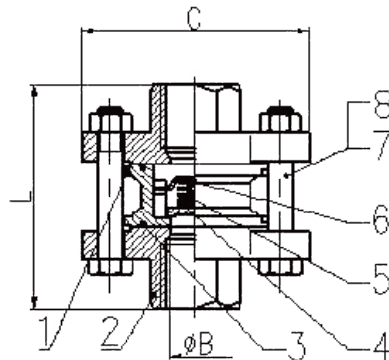
2 PC & 3 PC SPRING VERTICAL CHECK VALVE THREADED

Model: YH-C2PC-FF (ANSI 200PSI) ; YH-C3PC-FF (ANSI 1000PSI)



ITEM	DESIGNATION	MATERIAL
1	BODY	CF8
2	SPRING	CF8
3	STEM	CF8/CF8M
4	GASKET	PTFE
5	CAP	CF8

SIZE	3/8"	1/2"	3/4"	1"	1-1/4"	1-1/2"	2"	2-1/2"	3"	4"
L	54	57	64	75	82	93	100	120	140	155
D	30	34.5	41.5	48	60.5	71	87	110	125	158



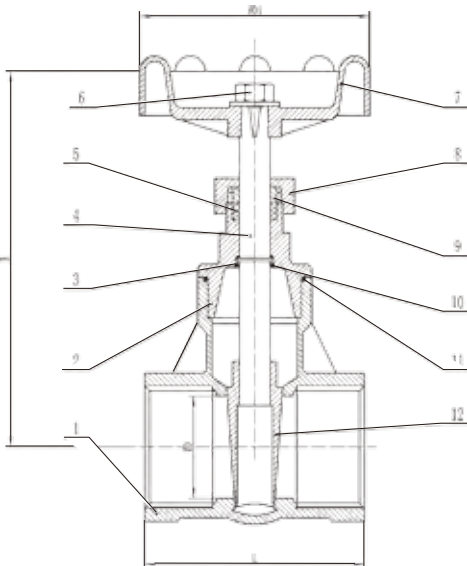
ITEM	DESIGNATION	MATERIAL
1	BODY	CF8M
2	CAP	CF8M
3	SEAL	PTFE
4	DISC	304
5	SPRING	304
6	STOPPER	304
7	BOLT	304
8	NUT	304

SIZE	1/4"	3/8"	1/2"	3/4"	1"	1-1/4"	1-1/2"	2"	2-1/2"	3"	4"
B	8	10	15	20	25	32	40	50	65	80	100
C	56	56	65	70	78	86	102	118	145	158	185
L	61	61	69	74	80	95	101	114	136	146	174



GATE VALVE

Model:YH-GATE(ANSI 200PSI)



Material specifications

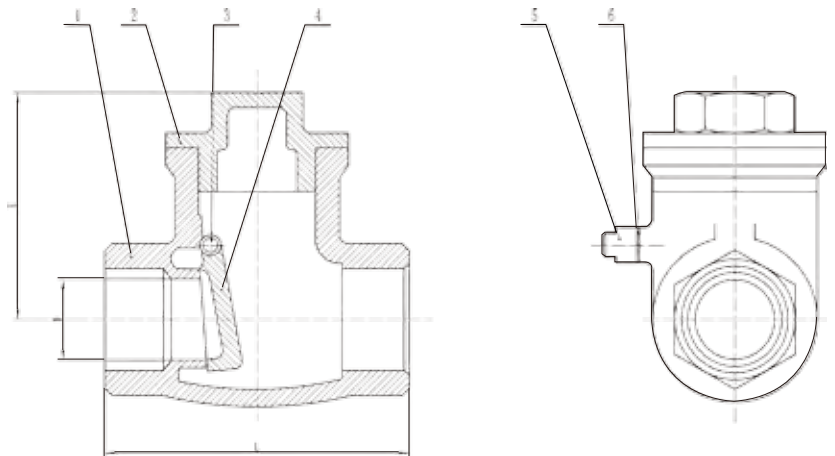
ITEM	DESIGNATION	MATERIAL
1	BODY	CF8M
2	BONNET	CF8M
3	STOP RING	304
4	STEM	316
5	PACKING	R-PTFE
6	HANDWHEEL NUT	304
7	HANDWHEEL	ALUMINIUM
8	PACKING NUT	316
9	RING	304
10	LOCK OUT	316
11	GASKET	R-PTFE
12	DISC	CF8M

Parameters

SIZE	1/2"	3/4"	1"	1 1/4"	1 1/2"	2"
ITEM						
D	15	20	25	32	40	50
L	55	60	66	76	86	96
H	92	99	113	128	147	168
D1	70	70	80	80	90	100
CV/FACTOR	17.6	32	54	97	135	230

SWING CHECK VALVE THREADED

Model1: YH-SC-200(ANSI 200PSI) Model2:YH-YC-800(ANSI 800PSI)

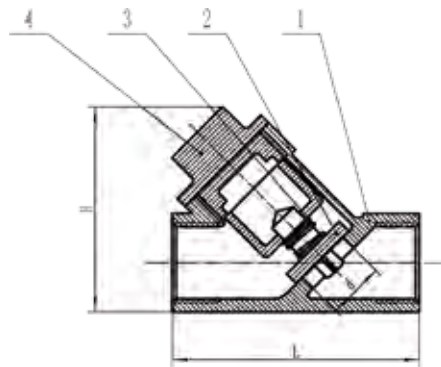


Material specifications

ITEM	DESIGNATION	MATERIAL
1	BODY	CF8M
2	BONNET	CF8M
3	HANGE PIN	SS 304
4	PLUG	304
5	PIN CAP	SS 304
6	THRUST WASHER	PTFE

Parameters

SIZE	1/2"	3/4"	1"	1 1/4"	1 1/2"	2"
D	15	20	25	32	40	50
L	65	80	90	105	120	140
H	43	53	60	60	75	79



Material specifications

ITEM	DESIGNATION	MATERIAL
1	BODY	CF8/CF8M
2	DISC SEAT	PTEE
3	DISC	CF8/CF8M
4	BONNET	CF8/CF8M

Parameters

SIZE	1/4"	3/8"	1/2"	3/4"	1"	1-1/4"	1-1/2"	2"
L	65	65	65	80	90	105	120	140
H	35	37	35	45	57	58	66	77



THREADED PIPE FITTINGS



Equal Tee



Street elbow



45° Elbow



Reducing hexagon nipple



Barrel nipple



Welding nipple

THREADED PIPE FITTINGS



90° Elbow



Reducing Tee



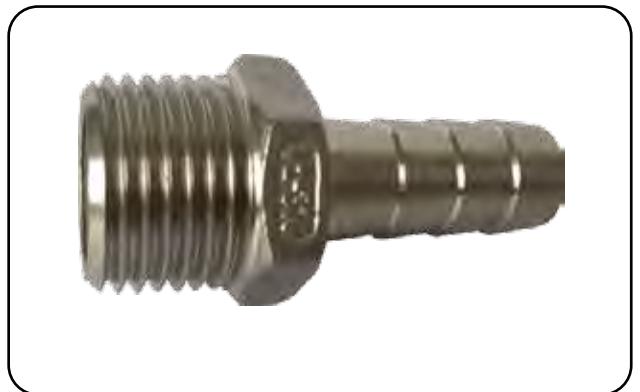
Cross



Elbow unions



Hexagon nipple



Hose nipple



THREADED PIPE FITTINGS



Unions F/F



Square plug



Unions M/F



Hexagon bushing



Hexagon cap



Hexagon plug

THREADED PIPE FITTINGS



Coupling O.D. machined



Full coupling O.D. machined



Reducing socket banded



Round cap



Half coupling O.D. machined



Socket banded



BUTT WELDED PIPE FITTINGS



45 Degree LR Elbow



45 Degree Short Radius Elbow



90 degree LR Reducing elbow



90 Degree LR Elbow



90 degree SR Elbow



180 Degree LR Elbow

BUTT WELDED PIPE FITTINGS



Caps



Concentric-reducer



Cross



Eccentric Reducer



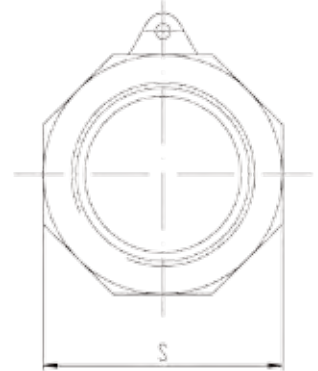
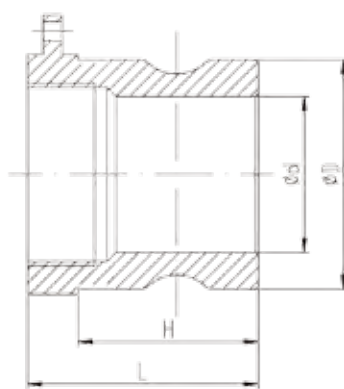
Reducing Tees



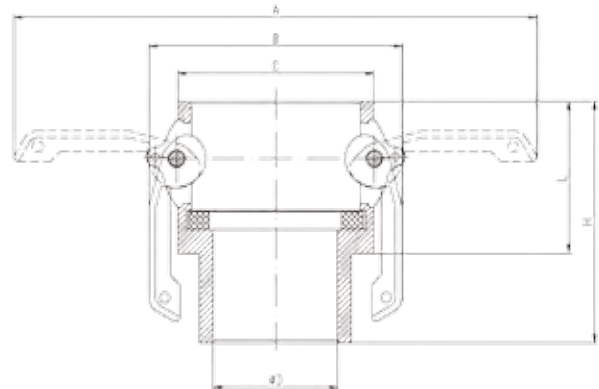
Tees



CAMLOCK COUPLING TYPE A & B

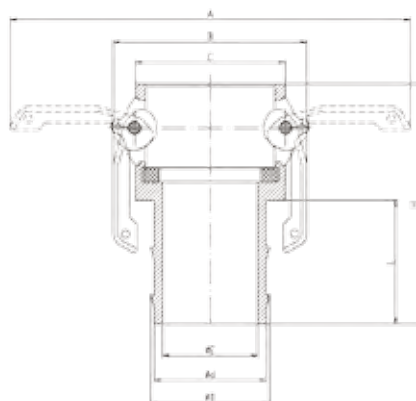


SIZE	L	H	D	d	S
1/2"	37	30	32	18.5	33
3/4"	37	30	32	23	33
1"	44	32	36.5	26	38
1-1/4"	48	37	45.5	31	46.5
1-1/2"	52.5	40	53.3	40	55
2"	59	46	63	48	65
2-1/2"	72.5	56	75.5	60	82
3"	67	50	91.5	76	97
4"	67	50	119.5	103	122

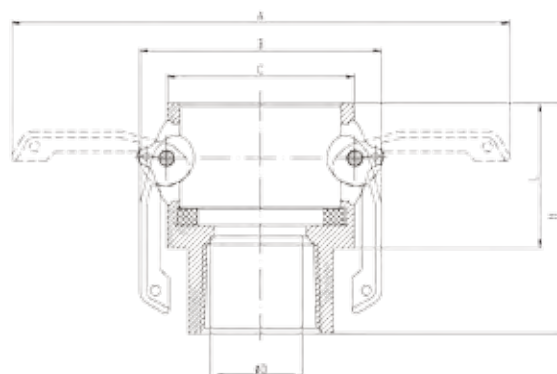


SIZE	D	A	B	C	L	H
1/2"	15	112	53	41	31	46
3/4"	20	112	53	41	31	47
1"	25	120	60	47	37.5	55
1-1/4"	32	175	79	56	45	66
1-1/2"	40	182	85	64	45	67.5
2"	50	191	94	74	51	78.5
2-1/2"	65	205	109	88	53	82.5
3"	76.5	230	130	104	55	90
4"	102	258	160	134	55	91

CAMLOCK COUPLING TYPE C & D



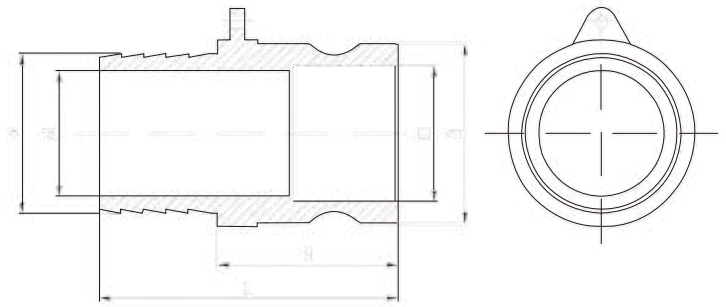
SIZE	d	D	A	B	C	L	H	E
1/2"	18.5	19.7	112	53	41	55	85	15
3/4"	18.5	19.7	112	53	41	55	85	15
1"	24	26	120	60	46	61	97.5	20
1-1/4"	32	34	175	79	56	60	105	28
1-1/2"	38	39	182	85	64	71	116	33.5
2"	50	52.5	191	95	74	73	125	46.5
2-1/2"	63	65	205	109	87	82	134	57
3"	75	77	230	130	104	91	146.5	70
4"	100	103	258	160	134	106	162	95.5



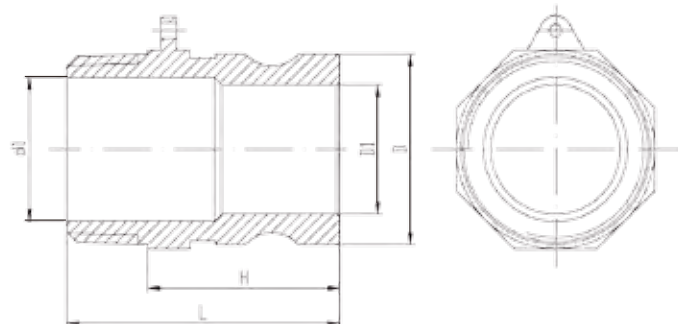
SIZE	D	A	B	C	L	H
1/2"	16.5	112	53	41	30	44
3/4"	19.5	112	53	41	30	46.5
1"	28	120	60	46	35.5	52.5
1-1/4"	35	175	79	56	43	63
1-1/2"	40	182	85	64	45	65
2"	50	191	95	74	51	74
2-1/2"	63.5	205	109	87	52.5	81
3"	75	230	130	104	55	86
4"	102.5	258	160	134	55	86



CAMLOCK COUPLING TYPE E & F

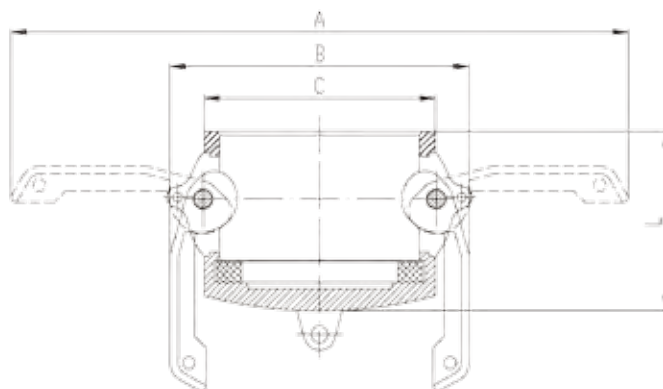


Size	L	H	D	D1	d	d1
1/2"	97	40	32	21.5	20	15
3/4"	97	40	32	21.5	20	15
1"	101	40	36.5	25	27	22
1-1/4"	108	47	45.5	30.5	34	28
1-1/2"	117	51	53.3	38	40	33
2"	127	53	63	47	53	46
2-1/2"	137	55	75.5	60	64	57
3"	150	60	91.5	76	77	70
4"	162	60	119.5	103	104	96

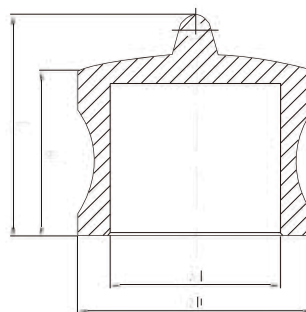


Size	L	H	D	D1	d1
1/2"	48	31.5	32	22.5	15
3/4"	48	31.5	32	22.2	20
1"	62	42	36.5	26	26
1-1/4"	72.5	50	45.5	31	34
1-1/2"	73	51	53.3	40	40.5
2"	80.3	55	63	48	51
2-1/2"	87	60	75.5	60	66
3"	95	65	91.5	76	79
4"	103	69	119.5	102	102

DUST CAP & DP



SIZE	A	B	C	L
1/2"	112	53	40.5	32
3/4"	112	53	40.5	32
1"	120	60	46	39
1-1/4"	175	79	56	46
1-1/2"	182	85	64	48.5
2"	191	95	74	53.5
2-1/2"	205	109	88	58
3"	230	130	104	59.5
4"	258	160	135	63



Size	L	H	D	d
1/2"	36	28	32	18.5
3/4"	36	28	32	23
1"	40	33	36.5	25
1-1/4"	48	40	45.5	31
1-1/2"	48	40	53.3	38.5
2"	55	46	63	48
2-1/2"	58	48	75.5	61
3"	66	53	91.5	76
4"	74	60	119.5	104

